



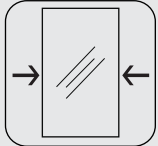
SOFT CLOSE GLASS SLIDING DOOR SYSTEMS



Features:

- * Hanging roller with two-way damper design, suitable for narrower door widths.
- * No bottom track design, making cleaning more convenient.
- * Side adjustment hanging bracket design, eliminating the need to remove the door panel for height adjustment.
- * Adjustment feature: Adjustable installation height of the door panel.

OZSL-GL-160SC STD

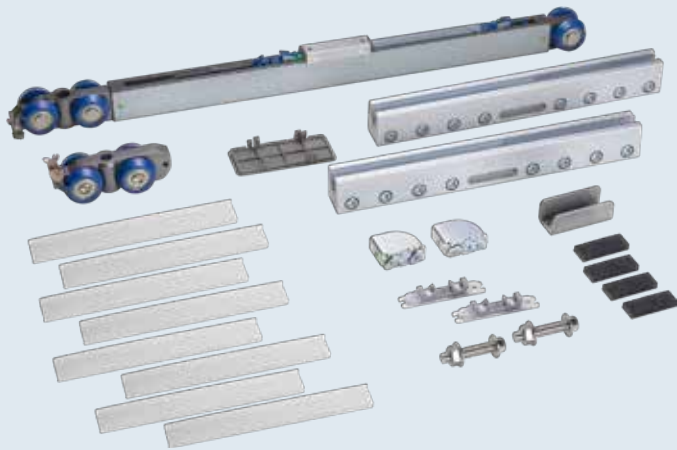


Door Width
≥640mm

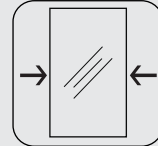
upto
160kg



Weight Carrying
Capacity



OZSL-GL-90SC STD



Door Width
≥640mm

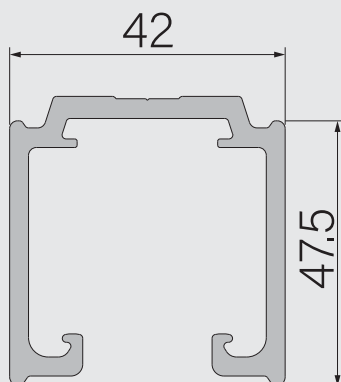
upto
90kg



Weight Carrying
Capacity



OZSL-160-TT 2M STD



OZSL-90-TT 2M STD

